

water

APPLICATION

TURTLE

- store the fresh water
- store the sanitary water
- store the salt water
- boosting the water
- maintain the pressure of the water

SHARK

- store all kinds of water

DOLPHIN

- store the compressed air
- store working air
- store control air

ADVANTAGES

- Huge database of ready, approved, marine drawings
- Quick contact, flat office organization = quick decisions
- Skids can be made according to the client's documentation
- Technical help and suggestions from DOE side
- Different pump types and manufacturers possibility
- 3D and dwg drawings of complete skids are supplied after the order
- Quick tank manufacturing time
- 25 years of experience in worldwide logistics and marine business
- Approval for II class tank manufacturing by DNV-GL
- Type approved by Russian River Register



DOE is approved for the
Manufacture of Welded Pressure
Vessels, Class II
by DNV-GL



Contact details:

Meeting and correspondence address:
DOE Sp. z o.o.,
Al. Parku Krajobrazowego 84,
84-207 Łężyce, Poland

Tel. +48 58 6643210
Fax. +48 58 6643737

Email: doe@doe.pl

Registration and invoicing address:
DOE Sp. z o.o.,
Sibeliusa 3
81-015 Gdynia, Poland

Visit our web page:
www.doe.pl

Date of establishment: 1992

OUR REPRESENTATIVES:

Spain
INTERCON S.L.
Avenida Barriomar, 171 - Bajo
36208 Vigo - Pontevedra (Spain)
+34 986 205 712
intercon@intercon.net

Norway
Lars G. Dynna
+47 959406333

Italy
Stefano Bardi SRL
Via delle Pinielle 101
16148, Genova GE - Italy
+39 010 3760 750/800
http://www.sb-group.it

Romania
Suszi Industrial
2 Cernalest Street, Bl. L3, Suite 21
900409, Constanta, Romania
+40 241 619 393
office@suszi-industrial.com

UAE
ULMATEC Services LLC
Office 604, Maritime Business Centre
Building, Dubai Maritime City (DMC)
P.O. Box 361023, Dubai, United Arab
Emirates (UAE)
+971 50 454 5573
Rajesh.Kamath@ulmatec.no

Korea
Mystic Tie Corp.
4th Floor Samchunri Bldg,
689-6 Jeonpo 1 Dong
Busan Jin Gu, Busan 614-869
South Korea
821038756456
wechooljung@gmail.com

Indonesia
PT.Satya Upangga
Nucira Building, 3rd Floor
Jl.Letjend M.Haryono Kav.27
Jakarta, 12820 Indonesia
+62 21 8303110
imans.muti@gmail.com

Thailand
Thai Engineering & Services
555/231-2 On-nut Road, Pravate, Pravate
District
Bangkok, 10250 Thailand
+66 (0) 2328 8734-5
sales@tes-company.com

Argentina/ Chile/ Colombia/ Ecuador/ Peru
CETUS NAVAL
+54 911 150 304 247
oterreyra@cetus-naval.com

Singapore
Aqua Logistics Pte Ltd
Bk 2 Bukit Batok St. 24
Skytech #02-09
659480 Singapore
+65 6506 5166
aqualog@singnet.com.sg

Singapore
Chase Resource M. Pte. Ltd.
33 Ubi Avenue 3 #08-54
408868 Vertex Tower A
Singapore
+65 6324 3033
jay@chaseresource.com

Singapore and China
K&L Engineering Services Pte Ltd
+65 96 985 526
max@knlengineering.com

China
LEADING Group
+86 15 210 296 158
aw@leadinggroup.cn

China
Hyman Marine & Offshore Co., Ltd
+86 13 501 738 183
camellia.lu@hymanoffshore.com

Russia
Dialog-Tekhnika
Nikrasova str., 17/A, office 4H
St. Petersburg, Russia
+7 (964) 3914900
office@diatoh.ru

Russia
Kronstad LTD
Business Centre
Jensen House 62 A, 3-rd line VO
Saint-Petersburg, Russia
+7 (8) 124412999145
leonid@kron.spb.ru

Russia
Shipmash LLC
Narodnaya St., 5/2, apt. 407
Saint-Petersburg, Russia
+7 (921) 4237785
main@shipmash.ru

Russia
Marine Supply Company LTD
Vasilovsky Island 24th Line 15/2
199106 Saint Petersburg, Russia
+8 (921) 788 66 12
i.svidemorsudsnab.ru

UAE
Technology Ventures Middle
East FZC
SAIF Zone - P.O.Box: 9252
AG-18 Sharjah, UAE
+974 4 491 3651
anup@tv-me.com

USA
Curtis Cronkrite
12 Talcott Range Drive
06026 East Granby
USA
+860 8539461
curtiscronkrite@aol.com

Turkey
NEMOMARIN TIC. MÜH.
DENİZCILİK A.Ş.
Aydıntepe Mah. Sahilyolu Bulvarı
Alıza İş Merkezi No:191/53
34944 Tuzla, İstanbul, TÜRKİYE
+90 530 114 85 94
alper.goncenc@nemomarin.com



doe®
Est. 1992

TANKS
SHARK - TURTLE - DOLPHIN



WATER tanks

Water tanks, with capacity range from 100 to 3000 litres. Bigger on demand up to 30.000 litres. Most of the marine certificates possible.



HYDROPHORE units

Skid mounted unit with marine water pumps, electric box, piping and regulation panel (manometers, presostats, safety vales)

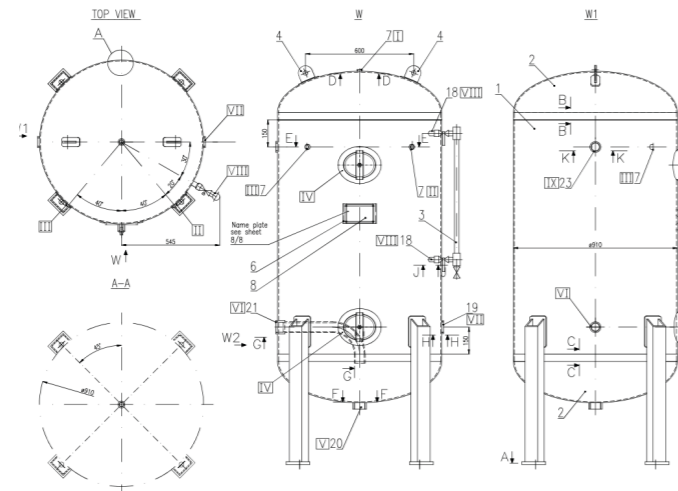


WORKING AIR tanks

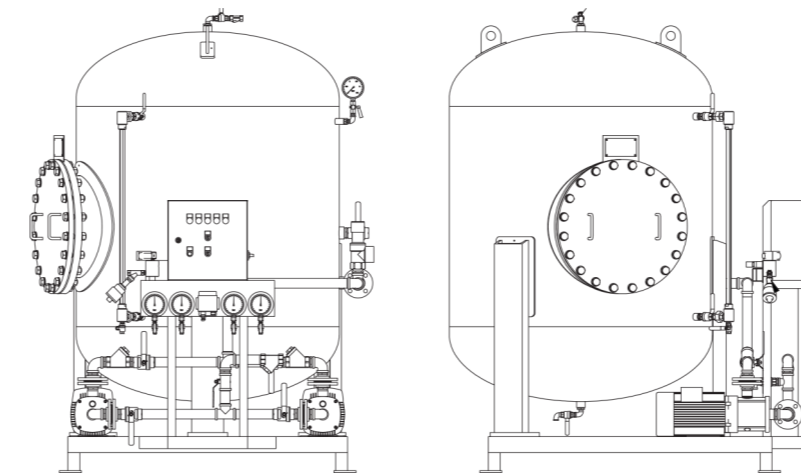
Air tank, with capacity range from 100 to 3000 litres and pressure up to 15 bar. Bigger on demand up to 30000 litres. Most of the marine certificates possible.



- capacity from 100 to 3000 litres
- designed pressure: 10 bar
- working pressure: 8 bar
- test pressure: 15 bar
- extra ports and inspection openings are plugged
- working temperature: 5 to 50°C
- all connections are BSP inside threaded
- extra option: all connections flanges
- hot zinc galvanized
- water level indicator included
- material: black steel or 316L stainless steel



- all mounted on common skid
- two pumps working separately
- Most well-known pump producers possible
- 3 x 400V 50Hz or 3 x 440V 60Hz
- aluminium or stainless steel skid
- all connected electrically and hydraulically
- pressure tested
- stainless steel piping
- metal electric box in standart with full redundancy
- 4 manometers, 1 presostat and safety valve in standart
- safety valve included



- capacity from 100 to 3000 litres
- designed pressure: 11 bar
- working pressure: 10 bar
- test pressure: 16 bar
- extra ports and inspection openings are plugged
- working temperature: -10 to 50°C
- all connections are BSP inside threaded
- extra option: all connections flanges
- standard blue color (any other color on demand)
- material: black steel or 316L stainless steel

